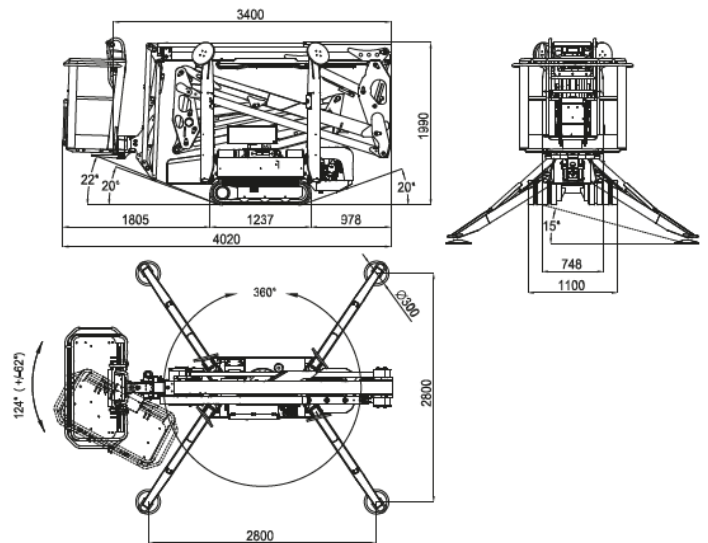
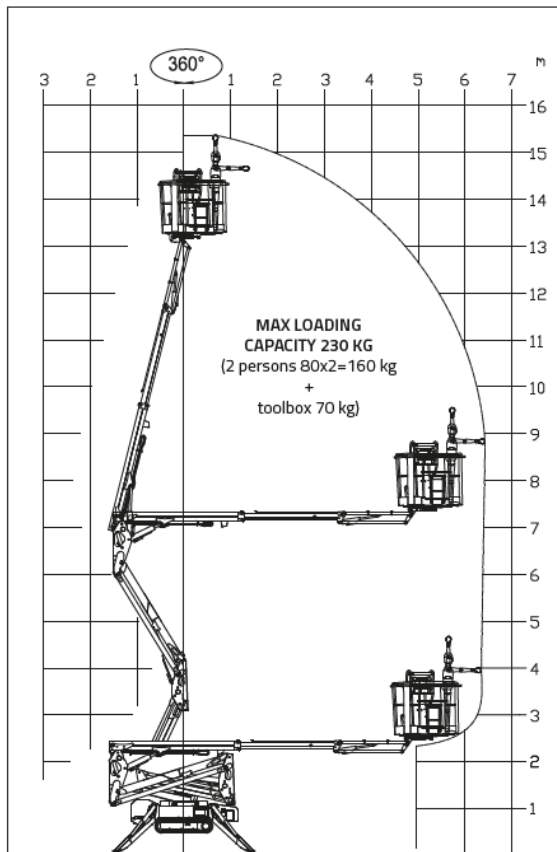


## Hinowa 15.70 Tracked Boom Platform

Compact articulated heavy duty tracked aerial platform with extension and jib.  
CE certified according to EN 280 regulations.

Maximum working height	15.40m
Maximum horizontal outreach	6.60m
Safe working load	230kg
Machine weight Diesel	1960kg
Machine weight Petrol	1940kg
Machine weight Lithium	1992kg



## Standard specification

- Third translation speed
- New concept basket with new remote control housing in composite material, complete with a set of wheels for transport when unmounted
- Predisposition for cable anti-entrapment system (sold separately)
- Starting system through a single key
- New LED stabilisation lights
- Hydraulic widening of the undercarriage (795-1095mm) through opposed cylinders
- Aluminium removable two person basket
- Double load cell with electronic and automatic 230kg load control
- Electronic spirit level which blocks the aerial part in case of wrong stabilisation
- Access on the rear part of the basket with retentive bar and ladder
- Full proportional controls with simultaneous movements
- Automatic stabilisation, destabilisation and levelling system (IIS)
- Can-Bus cable remote control with integrated interactive display and service function
- R.A.H.M system for remote diagnosis and localisation
- One-phase 230v line passing on board with plug in the basket
- Compressed air line with connection to the ground and basket 13mm
- Pins with lifetime lubrication, maintenance free throughout the structure
- Slew ring with worm screw
- Long lasting hydraulic pipes
- Bosch Rexroth hydraulic components
- Stabilisation disks 300mm with less ground load
- Double emergency descent devices with ground and basket controls
- Auxiliary emergency descent controlled with hand pump
- Digital hour meter for engines
- Double block valves on stabilisers flanged on bottom part
- Iron protections for engines and stabiliser cylinders
- Self levelling basket through opposed cylinders compensation
- Large forklift pockets to allow easy lifting with forklift or telehandler to load, unload and transport the machine
- Heavy duty lifting hooks on outriggers for quick and easy positioning with crane
- New concept low profile rubber tracks
- Online user manual and spare parts catalogue

### Additional accessories mounted on the Lithium ion-version

- 36V 120Ah Lithium battery pack, LiFePo4 type
- Rapid battery charge 80% in 2 hours
- Forced air batteries cooling system
- Remaining battery indicator on the display
- Battery charger on board (110 or 230v, 50 or 60Hz)
- BMS with function of batteries charge and discharge control and diagnosis
- Sealed and protected cover for the lithium system in aluminium colour
- Possibility to charge the batteries and work simultaneously